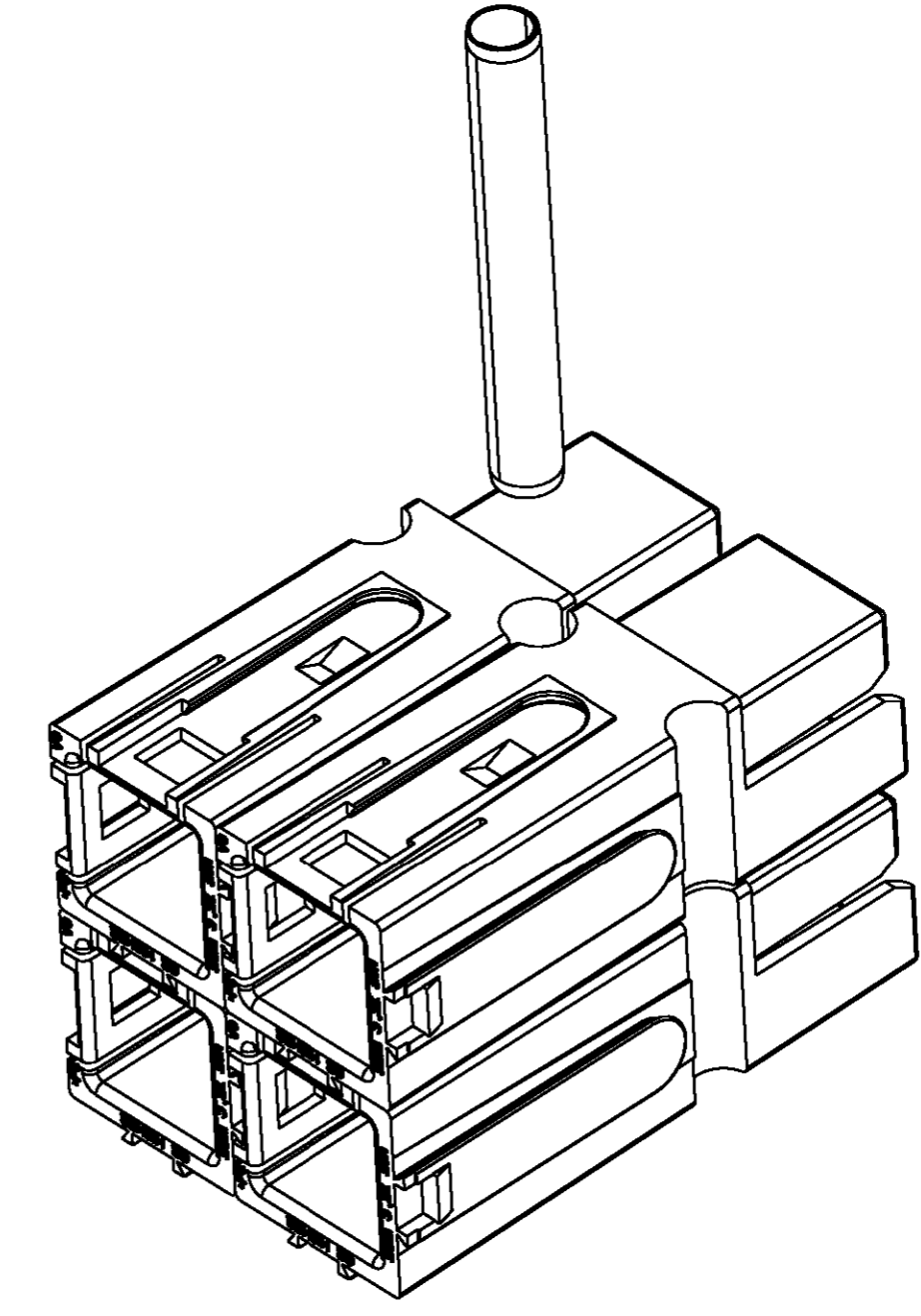
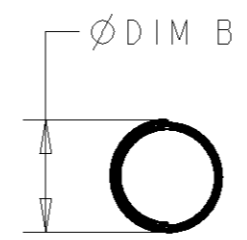
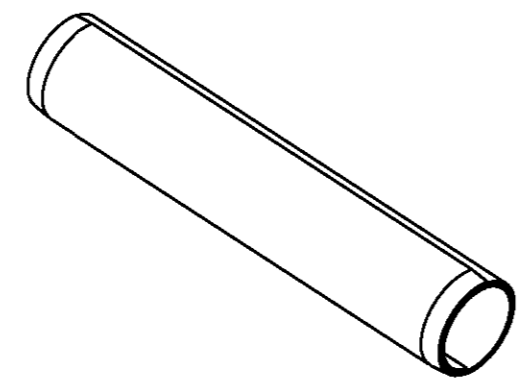


THIS DRAWING IS UNPUBLISHED. RELEASED FOR PUBLICATION 20

© COPYRIGHT 20 BY TYCO ELECTRONICS CORPORATION. ALL RIGHTS RESERVED.

LOC	DIST	REVISIONS					
		P	LTR	DESCRIPTION	DATE	DWN	APVD
CM	00	0		RELEASED PER 063B-0026-03	19-FEB-03	KW	JE



TYPICAL USES

2.36/2.51	21.59	1445886-6
2.51/2.69	11.18	1445886-5
2.49/2.62	6.35	1445886-4
5/5.25	38.1	1445886-3
5/5.25	25.4	1445886-2
5/5.25	14.22	1445886-1
Ø DIM B	DIM A	PART NUMBER

METRIC

<small>THIS DRAWING IS A CONTROLLED DOCUMENT FOR TYCO ELECTRONICS CORPORATION. IT IS SUBJECT TO CHANGE AND THE CONTROLLING ENGINEERING ORGANIZATION SHOULD BE CONTACTED FOR THE LATEST REVISION.</small>		DWN BH 150CT01 CHK KAK 150CT01 APVD KAK 150CT01	tyco Electronics Tyco Electronics Harrisburg, PA 17105-3608
DIMENSIONS: mm 	TOLERANCES UNLESS OTHERWISE SPECIFIED: 0 PLC ± 1 PLC ± 2 PLC ±0.13 3 PLC ± 4 PLC ± ANGLES ± FINISH	PRODUCT SPEC - APPLICATION SPEC - WEIGHT -	NAME RETAINER PIN, POWER PRODUCT SIZE A2 CAGE CODE 00779 DRAWING NO. 1445886 RESTRICTED TO - SCALE 2:1 SHEET 1 OF 1 REV 0
MATERIAL 302 STAINLESS STEEL	FINISH PASSIVATED	CUSTOMER DRAWING	